

THIS DRAWING IS ONLY CONDITIONALLY ISSUED AND NEITHER RECEIPT NOR POSSESSION THEREOF CONFERS OR TRANSFERS ANY RIGHT OR LICENSE TO USE THE SUBJECT MATTER OF THE DRAWING OR ANY DESIGN OR TECHNICAL INFORMATION SHOWN THEREON NOR ANY RIGHT TO REPRODUCE THIS DRAWING OR ANY PART THEREOF, WITHOUT WRITTEN PERMISSION FROM AKO INC

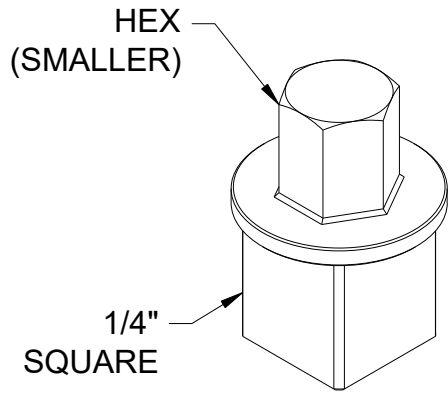


FIG. 1

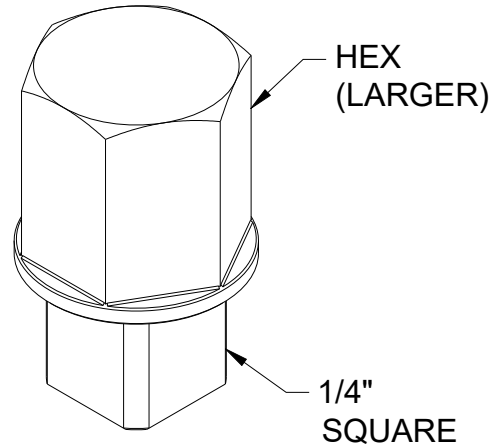


FIG. 2

PART NUMBER	HEX	SQ.	FIG.	PART NUMBER	HEX	SQ.	FIG.
TSD340-4-1/8	1/8"	1/4"	1	TSD340-4-9/16	9/16"	1/4"	2
TSD340-4-5/32	5/32"	1/4"	1	TSD340-4-5/8	5/8"	1/4"	2
TSD340-4-3/16	3/16"	1/4"	1	TSD340-4-11/16	11/16"	1/4"	2
TSD340-4-7/32	7/32"	1/4"	1	TSD340-4-3/4	3/4"	1/4"	2
TSD340-4-1/4	1/4"	1/4"	1	TSD340-4-13/16	13/16"	1/4"	2
TSD340-4-5/16	5/16"	1/4"	1	TSD340-4-7/8	7/8"	1/4"	2
TSD340-4-3/8	3/8"	1/4"	2	TSD340-4-15/16	15/16"	1/4"	2
TSD340-4-7/16	7/16"	1/4"	2	TSD340-4-1	1"	1/4"	2
TSD340-4-1/2	1/2"	1/4"	2				

* SPECIAL SIZES UPON REQUEST



FILE:
BY: DW DATE: 2021 REV:

AKO Inc. - Torque Specialties

50 Baker Hollow Rd. Windsor, Connecticut 06095, USA www.aktorque.com

1/4" SQUARE TO HEX ADAPTER

AVAILABLE SIZES *

TSD340-4-