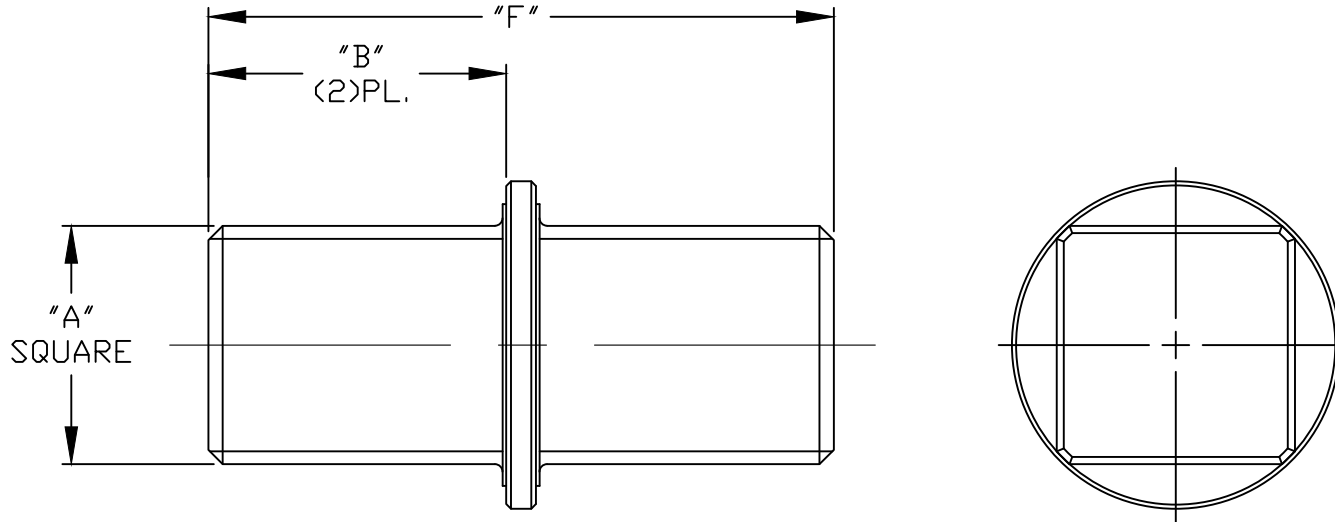


THIS DRAWING IS ONLY CONDITIONALLY ISSUED AND NEITHER RECEIPT NOR POSSESSION THEREOF CONFERS OR TRANSFERS ANY RIGHT OR LICENSE TO USE THE SUBJECT MATTER OF THE DRAWING OR ANY DESIGN OR TECHNICAL INFORMATION SHOWN THEREON NOR ANY RIGHT TO REPRODUCE THIS DRAWING OR ANY PART THEREOF, WITHOUT WRITTEN PERMISSION FROM AKO INC.



DIMENSIONS

TSD 350-	A-SQUARE	B-SQUARE LENGTH	F-OVERAL LENGTH	MAX WORK TORQUE
-6	3/8"	.475	1-1/16"	110 LB.FT.
-8	1/2"	.625	1-3/8"	295 LB.FT.
-12	3/4"	.937	2"	820 LB.FT.
-16	1"	1.250	2-5/8"	2,500 LB.FT.
-24	1-1/2"	1.687	3-1/2"	10,000 LB.FT.

Dr. By: DW	<b>A.K.O. INC.</b> TORQUE SPECIALTIES DIV. 50 BAKER HOLLOW ROAD WINDSOR, CONNECTICUT 06095, USA
Ch'd. By:	
Scale:	
Date: 3-1-17	
FILE# TSD350SET	
REVISION: C2	Title: SQUARE DRIVE ADAPTER WITH FLANGE STANDARD SET
Part Number:	TSD 350-X