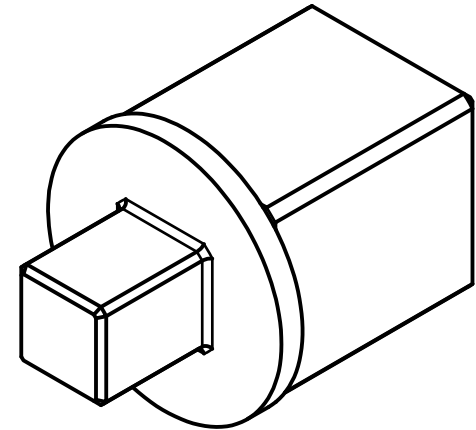
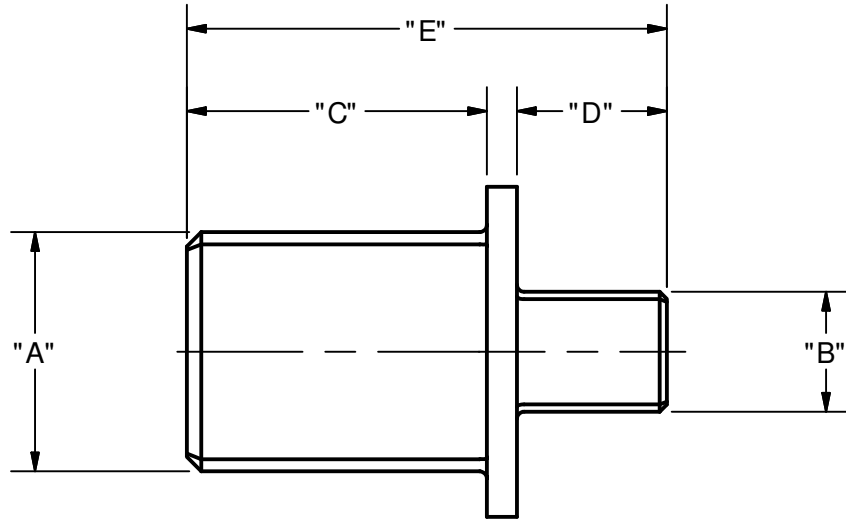


THIS DRAWING IS ONLY CONDITIONALLY ISSUED AND NEITHER RECEIPT NOR POSSESSION THEREOF CONFERS OR TRANSFERS ANY RIGHT OR LICENSE TO USE THE SUBJECT MATTER OF THE DRAWING OR ANY DESIGN OR TECHNICAL INFORMATION SHOWN THEREON NOR ANY RIGHT TO REPRODUCE THIS DRAWING OR ANY PART THEREOF, WITHOUT WRITTEN PERMISSION FROM AKO INC.



DIMENSIONS

PART NUMBER	"A" SQ.	"B" SQ.	"C"	"D"	"E"	MAX. WORK TORQUE
TSD351-24-16	1-1/2"	1"	1.687	1.250	3-1/16"	2,500 LB.FT.
TSD351-24-12	1-1/2"	3/4"	1.687	.937	2-3/4"	820 LB.FT.
TSD351-24-8	1-1/2"	1/2"	1.687	.625	2-7/16"	295 LB.FT.
TSD351-16-12	1"	3/4"	1.250	.937	2-5/16"	820 LB.FT.
TSD351-16-8	1"	1/2"	1.250	.625	2"	295 LB.FT.
TSD351-16-6	1"	3/8"	1.250	.437	1-13/16"	110 LB.FT.
TSD351-12-8	3/4"	1/2"	.937	.625	1-1/2"	295 LB.FT.
TSD351-12-6	3/4"	3/8"	.937	.437	1-3/8"	110 LB.FT.
TSD351-12-4	3/4"	1/4"	.937	.375	1-5/16"	45 LB.FT.
TSD351-8-6	1/2"	3/8"	.625	.437	1-3/16"	110 LB.FT.
TSD351-8-4	1/2"	1/4"	.625	.375	1-1/8"	45 LB.FT.
TSD351-6-4	3/8"	1/4"	.437	.375	15/16"	45 LB.FT.

A.K.O. INC.

TORQUE SPECIALTIES
50 BAKER HOLLOW ROAD, WINDSOR, CONNECTICUT 06095, USA

DR BY: DW

TITLE:

CH'D BY: .

SCALE: .

DATE: -17

REV: *

FILE: TSD351_INFO

TSD351 SERIES
SQUARE DRIVE REDUCERS

PART NUMBER:

TSD351-X-X