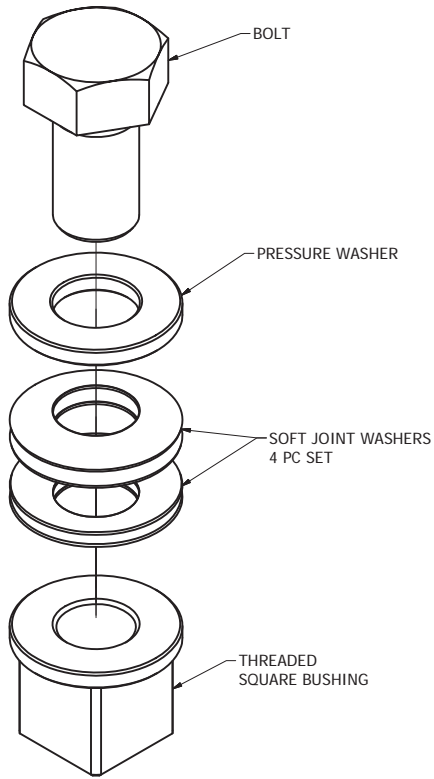


THIS DRAWING IS ONLY CONDITIONALLY ISSUED AND NEITHER RECEIPT NOR POSSESSION THEREOF CONFERS OR TRANSFERS ANY RIGHT OR LICENSE TO USE THE SUBJECT MATTER OF THE DRAWING OR ANY DESIGN OR TECHNICAL INFORMATION SHOWN THEREON NOR ANY RIGHT TO REPRODUCE THIS DRAWING OR ANY PART THEREOF, WITHOUT WRITTEN PERMISSION FROM AKO INC.

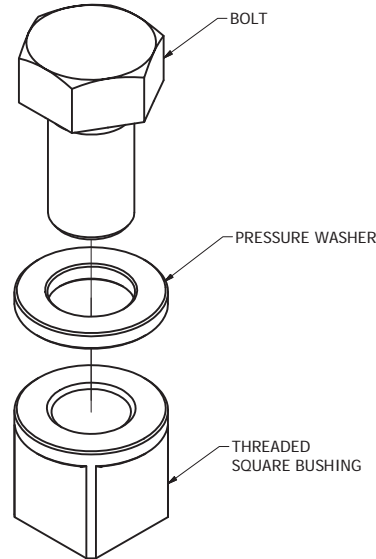
**TSD363 RUN DOWN ADAPTER HARD JOINT**

**SOFT JOINT (OPTION)**

HARD JOINT ASSEMBLY PART NUMBER	MAX. TORQUE LB.FT.	MALE SQ. ADAPTER SIZE	BOLT SIZE	T.P.I.	GRADE	BOLT HEAD (TYP.)	SOFT JOINT ASSEMBLY PART NUMBER	SOFT JOINT WASHERS ONLY 4 PC SET
TSD363-6-4-20-5	8	3/8	1/4"	20	5	7/16"	TSD363-SJ-6-4-20-5	TSD363-SJ-4
TSD363-6-4-28-5	10	3/8	1/4"	28	5	7/16"	TSD363-SJ-6-4-28-5	
TSD363-6-4-20-8	10	3/8	1/4"	20	8	7/16"	TSD363-SJ-6-4-20-8	
TSD363-6-4-28-8	12	3/8	1/4"	28	8	7/16"	TSD363-SJ-6-4-28-8	TSD363-SJ-5
TSD363-6-5-18-5	17	3/8	5/16"	18	5	1/2"	TSD363-SJ-6-5-18-5	
TSD363-6-5-24-5	19	1/2"	5/16"	24	5	1/2"	TSD363-SJ-6-5-24-5	
TSD363-6-5-18-8	19	1/2"	5/16"	18	8	1/2"	TSD363-SJ-6-5-18-8	TSD363-SJ-6
TSD363-8-6-16-5	30	1/2"	3/8"	16	5	9/16"	TSD363-SJ-8-6-16-5	
TSD363-8-6-24-5	35	1/2"	3/8"	24	5	9/16"	TSD363-SJ-8-6-24-5	
TSD363-8-6-24-8	40	1/2"	3/8"	24	8	9/16"	TSD363-SJ-8-6-24-8	TSD363-SJ-7
TSD363-12-7-14-5	50	3/4"	7/16"	14	5	5/8"	TSD363-SJ-12-7-14-5	
TSD363-12-7-20-5	55	3/4"	7/16"	20	5	5/8"	TSD363-SJ-12-7-20-5	
TSD363-12-8-13-5	75	3/4"	1/2"	13	5	3/4"	TSD363-SJ-12-8-13-5	TSD363-SJ-8
TSD363-12-8-20-5	125	3/4"	1/2"	20	5	3/4"	TSD363-SJ-12-8-20-5	
TSD363-12-8-13-8	125	3/4"	1/2"	13	8	3/4"	TSD363-SJ-12-8-13-8	
TSD363-12-8-20-8	125	3/4"	1/2"	20	8	3/4"	TSD363-SJ-12-8-20-8	TSD363-SJ-12
TSD363-16-12-16	450	1"	3/4"	16	8	1"	TSD363-SJ-16-12-16	
TSD363-24-12-16	450	1-1/2"	3/4"	16	8	1"	TSD363-SJ-24-12-16	
TSD363-24-16-14	1,050	1-1/2"	1"	14	8	1-1/2"	TSD363-SJ-24-16-14	TSD363-SJ-16
TSD363-24-18-12	1,500	1-1/2"	1 1/8"	12	8	1-11/16"	TSD363-SJ-24-18-12	TSD363-SJ-18
TSD363-40-20-12	2,100	2-1/2"	1 1/4"	12	8	1-7/8"	TSD363-SJ-40-20-12	TSD363-SJ-20
TSD363-40-24-12	3,600	2-1/2"	1 1/2"	12	8	2-1/4"	TSD363-SJ-40-24-12	TSD363-SJ-24
TSD363-40-32-12	5,500	2-1/2"	2"	12	8	3"	TSD363-SJ-40-32-12	TSD363-SJ-32
TSD363-56-36-12	7,600	3-1/2"	2-1/4"	12	8	3-3/8"	TSD363-SJ-56-36-12	TSD363-SJ-36
TSD363-56-40-12	12,000	3-1/2"	2-1/2"	12	8	3-3/4"	TSD363-SJ-56-40-12	TSD363-SJ-40



TSD363-SJ  
SOFT JOINT ASSEMBLY



TSD363  
HARD JOINT ASSEMBLY

<b>A.K.O. INC.</b>		TORQUE SPECIALTIES	
50 BAKER HOLLOW ROAD, WINDSOR, CONNECTICUT 06095, USA			
DR BY: DW	TITLE:	TSD363 RUN DOWN ADAPTER - HARD JOINT	
CVD BY: -		&	
SCALE: -		TSD363-SJ - SOFT JOINT (OPTION)	
DATE: 3-2017		FOR PNEUMATIC TORQUE WRENCH CALIBRATION	
REV: *		PART NUMBER:	TSD363 & TSD363-SJ
FILE: TSD363_TSD363-SJ_INFO			