



A K O

Torque Specialties

"The Standard by Which Torque is Calibrated"
50 Baker Hollow Rd., Windsor, CT 06095

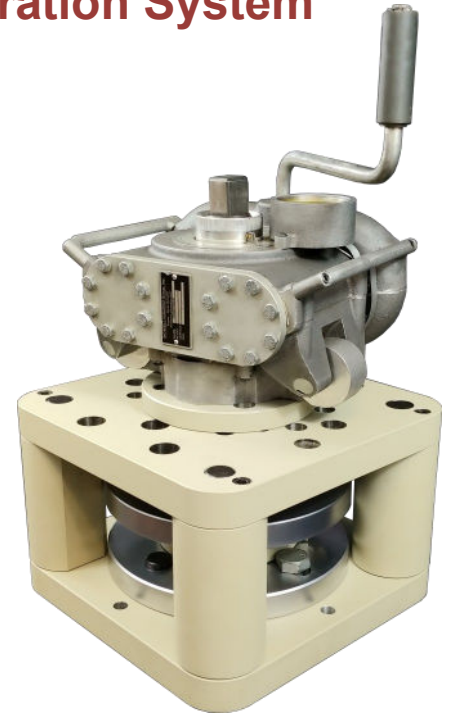
**ISO/IEC 17025:2017
Accredited**

P: (860) 298-9765
F: (860) 683-4126
www.akotorque.com

Direct Read Multiplier Calibration Systems

TSD10035 Compact Multiplier Calibration System

- Designed specifically for the Calibration of Direct Read type torque multipliers such as ATP or Power-Dyne while maintaining compatibility with other tool types
- Compact size with a 1ft x 1ft footprint
- Self contained design is bench mountable for additional security or for use in mobile calibration laboratories
- Hardened steel top plate manufactured to A.K.O., Inc.'s high standard of durability and reliability
- Interchangeable top plate, adapter plate, and bushings allow the system to accommodate most torque drive outputs with other additional bushings and adapter plates available
- Custom solutions and modifications available



FEATURING A.K.O., INC.'S TSD6500 DIGITAL INDICATOR



- Connects with A.K.O., Inc.'s Proprietary TorqCal Software
- Customizable torque ranges and capacities for all applications
- Expandable up to 8 transducer channels per indicator
- Built in Peak Hold, Unit Conversion, and Zero Tracking functions
- Industry leading accuracy up to 0.1% of reading

Available Transducers



Model Number	Capacity
TSD5011-L	5000 lbf·ft
TSD10011-L	10000 lbf·ft

See reverse for hole patterns and portable configuration options.



AKO

Torque Specialties
"The Standard by Which Torque is Calibrated"
50 Baker Hollow Rd., Windsor, CT 06095

**ISO/IEC 17025:2017
Accredited**

P: (860) 298-9765
F: (860) 683-4126
www.akotorque.com

Direct Read Multiplier Calibration Systems

Output Bushings to fit any tool!

HEX and Square Bushings of all sizes

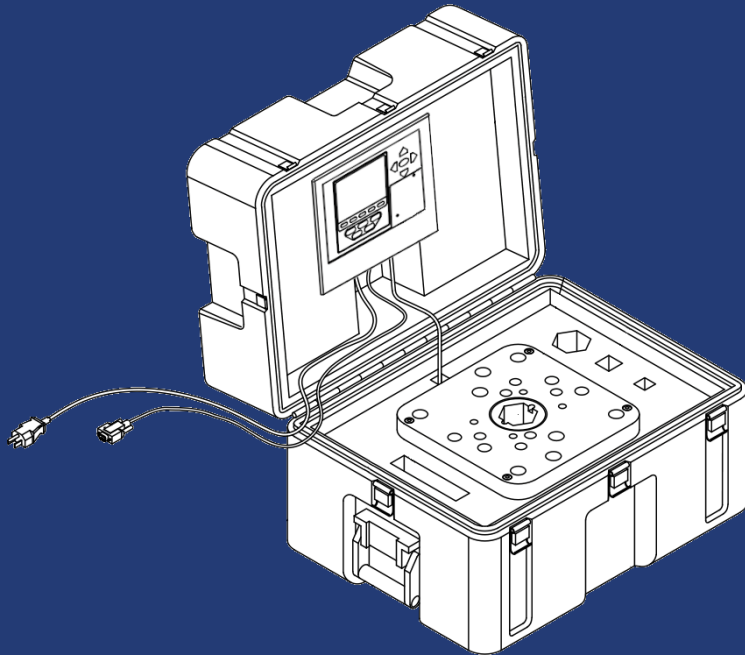
Custom Output Bushings



Standard Top Plate Hole Patterns

Hole Diameter	Spacing
1/2 inch	3 inch
1/2 inch	5 inch
1/2 inch	6 inch
3/4 inch	5 inch
3/4 inch	7 inch
3/4 inch	7 1/4 inch
7/8 inch	8 3/4 inch
7/8 inch	9 3/4 inch
1 inch	7 inch
1 inch	10 1/2 inch

Also Available in Portable Format



- Complete 10000 lbf-ft calibration system transportable via 2-man lift
- Self contained in travel hardened portable case with minimal setup requirements
- Aluminum top plate with hardened steel inserts reduces weight while maintaining A.K.O., Inc.'s high standard of durability
- Bushings and Adapters store in case along with system, preventing accidental misplacement
- Able to connect to A.K.O., Inc.'s proprietary TorqCal calibration software for certificate generation

TSD1009P Adapter Plate



Hole Diameter	Spacing
1/2 inch	3 inch
3/4 inch	3 3/4 inch
3/4 inch	5 inch

See reverse for standard system details and available transducers.