



# A K O

**Torque Specialties**

*"The Standard by Which Torque is Calibrated"*  
50 Baker Hollow Rd., Windsor, CT 06095

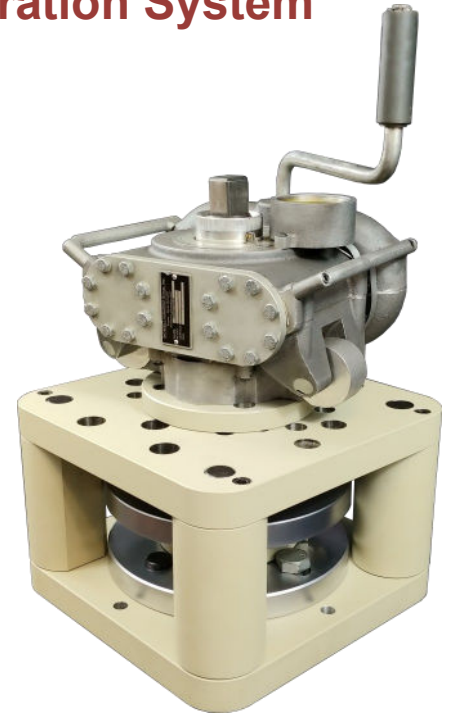
**ISO/IEC 17025:2017  
Accredited**

P: (860) 298-9765  
F: (860) 683-4126  
www.akotorque.com

## Direct Read Multiplier Calibration Systems

### TSD10035 Compact Multiplier Calibration System

- Designed specifically for the Calibration of Direct Read type torque multipliers such as ATP or Power-Dyne while maintaining compatibility with other tool types
- Compact size with a 1ft x 1ft footprint
- Self contained design is bench mountable for additional security or for use in mobile calibration laboratories
- Hardened steel top plate manufactured to A.K.O., Inc.'s high standard of durability and reliability
- Interchangeable top plate, adapter plate, and bushings allow the system to accommodate most torque drive outputs with other additional bushings and adapter plates available
- Custom solutions and modifications available



### FEATURING A.K.O., INC.'S TSD6500 DIGITAL INDICATOR



- Connects with A.K.O., Inc.'s Proprietary TorqCal Software
- Customizable torque ranges and capacities for all applications
- Expandable up to 8 transducer channels per indicator
- Built in Peak Hold, Unit Conversion, and Zero Tracking functions
- Industry leading accuracy up to 0.1% of reading

### Available Transducers



| Model Number | Capacity     |
|--------------|--------------|
| TSD5011-L    | 5000 lbf·ft  |
| TSD10011-L   | 10000 lbf·ft |

See reverse for hole patterns and portable configuration options.



# AKO

**Torque Specialties**  
"The Standard by Which Torque is Calibrated"  
50 Baker Hollow Rd., Windsor, CT 06095

**ISO/IEC 17025:2017  
Accredited**

P: (860) 298-9765  
F: (860) 683-4126  
www.akotorque.com

## Direct Read Multiplier Calibration Systems

### Output Bushings to fit any tool!

HEX and Square Bushings of all sizes

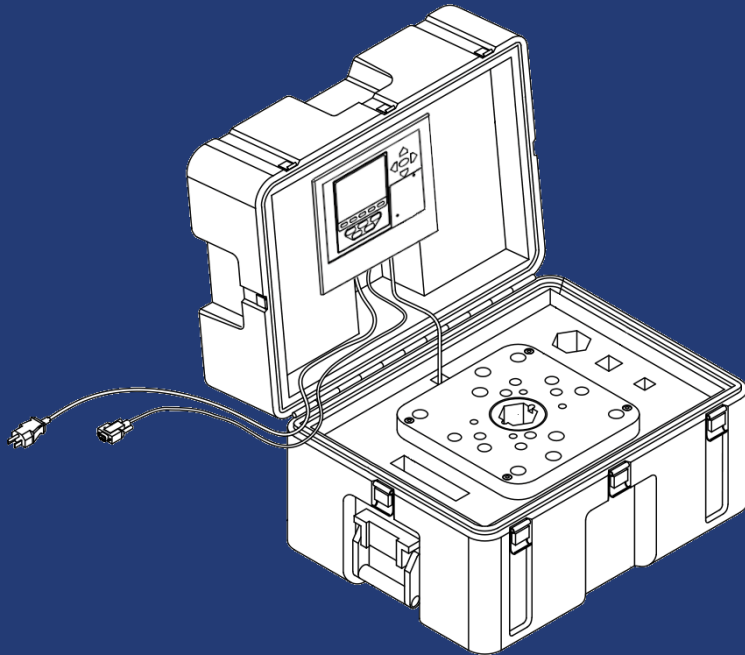
Custom Output Bushings



### Standard Top Plate Hole Patterns

| Hole Diameter | Spacing     |
|---------------|-------------|
| 1/2 inch      | 3 inch      |
| 1/2 inch      | 5 inch      |
| 1/2 inch      | 6 inch      |
| 3/4 inch      | 5 inch      |
| 3/4 inch      | 7 inch      |
| 3/4 inch      | 7 1/4 inch  |
| 7/8 inch      | 8 3/4 inch  |
| 7/8 inch      | 9 3/4 inch  |
| 1 inch        | 7 inch      |
| 1 inch        | 10 1/2 inch |

### Also Available in Portable Format



- Complete 10000 lbf-ft calibration system transportable via 2-man lift
- Self contained in travel hardened portable case with minimal setup requirements
- Aluminum top plate with hardened steel inserts reduces weight while maintaining A.K.O., Inc.'s high standard of durability
- Bushings and Adapters store in case along with system, preventing accidental misplacement
- Able to connect to A.K.O., Inc.'s proprietary TorqCal calibration software for certificate generation

### TSD1009P Adapter Plate



| Hole Diameter | Spacing    |
|---------------|------------|
| 1/2 inch      | 3 inch     |
| 3/4 inch      | 3 3/4 inch |
| 3/4 inch      | 5 inch     |

**See reverse for standard system details and available transducers.**