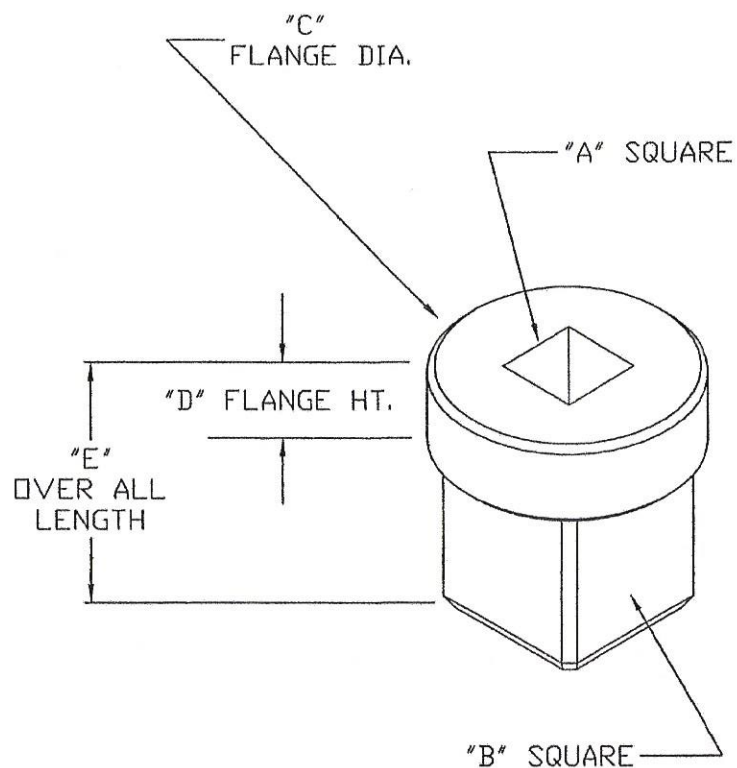


TSD 362 (STANDARD FLANGE HEIGHT)



DET.#	"A" SQ.	"B" SQ.	"C"	"D"	"E"
-6-4	1/4"	3/8"	.750	.250	.685
-8-4	1/4"	1/2"	.750	.250	.810
-8-6	3/8"	1/2"	1.000	.250	.810
-12-4	1/4"	3/4"	1.000	.250	1.000
-12-6	3/8"	3/4"	1.000	.250	1.000
-12-8	1/2"	3/4"	1.250	.625	1.375
-16-6	3/8"	1"	1.500	.500	1.500
-16-8	1/2"	1"	1.500	.500	1.500
-16-12	3/4"	1"	1.750	.750	1.750
-24-6	3/8"	1-1/2"	2.125	.750	2.250
-24-8	1/2"	1-1/2"	2.125	.750	2.250
-24-12	3/4"	1-1/2"	2.125	.750	2.250
-24-16	1"	1-1/2"	2.750	1.000	2.500
-40-12	3/4"	2-1/2"	3.500	.750	2.750
-40-16	1"	2-1/2"	3.500	.750	2.750
-40-24	1-1/2"	2-1/2"	3.500	1.250	3.250
-56-24	1-1/2"	3-1/2"	5.000	.750	3.750
-56-40	2-1/2"	3-1/2"	5.000	1.500	3.750
-72-24	1-1/2"	4-1/2"	7.000	1.500	4.500
-72-40	2-1/2"	4-1/2"	7.000	1.500	4.500

TSD 362L (LONG FLANGE HEIGHT)

DET.#	"A" SQ.	"B" SQ.	"C"	"D"	"E"
L-24-12	3/4"	1-1/2"	2.250	1.250	2.750
L-24-16	1"	1-1/2"	2.750	1.500	3.000
L-40-16	1"	2-1/2"	3.500	2.500	4.500
L-40-24	1-1/2"	2-1/2"	3.500	2.500	4.500
L-56-40	2-1/2"	3-1/2"	9.500	4.500	1.500

QUOTATIONS FOR SPECIAL SIZES ON REQUEST.

THIS DRAWING IS ONLY CONDITIONALLY ISSUED AND NEITHER RECEIPT NOR POSSESSION THEREOF CONFERS OR TRANSFERS ANY RIGHT OR LICENSE TO USE THE SUBJECT MATTER OF THE DRAWING OR ANY DESIGN OR TECHNICAL INFORMATION SHOWN THEREON NOR ANY RIGHT TO REPRODUCE THIS DRAWING OR ANY PART THEREOF, WITHOUT WRITTEN PERMISSION FROM AKO INC.

Dr. By: DW	TORQUE SPECIALTIES DIV. A.K.O. inc. BROAD BROOK ROAD, ENFIELD, CT 06082
Ch'd. By:	
Scale:	Title: SQUARE TO SQUARE ADAPTER BUSHING STANDARD & LONG FLANGE
Date: 4-05	Part Number: TSD 362- & TSD 362L-
FILE# TSD362-SLS(1)	
REVISION: D (2-16-08)	